

Miniatursummer AL-28SL12-DT Art.-Nr.: 165032

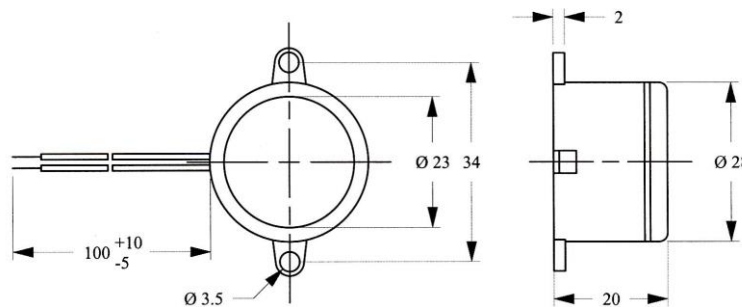
Specification :

TYPE	UNIT	AL-28SL12-DT
Min. Sound Output at 30cm	dB	95
Rated Voltage	V _{DC}	12
Operating Voltage	V _{DC}	9~15
Resonant Frequency	Hz	2.800±300
Max. Current Consumption	mA	40
Tone		Single
Pulse Rate at rated voltage	Pulse/sec	NIL
Operating Temperature	°C	-20~+60
Storage Temperature	°C	-30~+70

- Value applying at rated voltage

Dimensions :

(Unit : mm)



Frequency Response :

